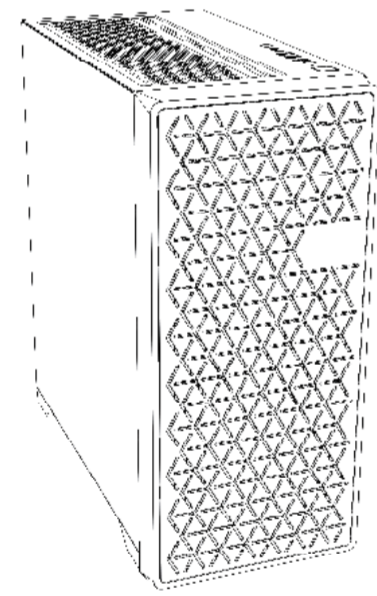
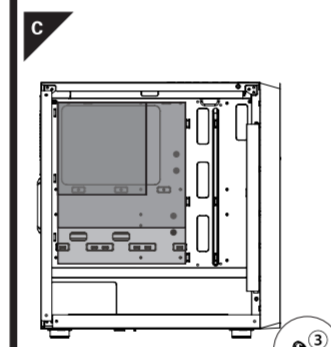


**LC-POWER™**  
www.lc-power.com

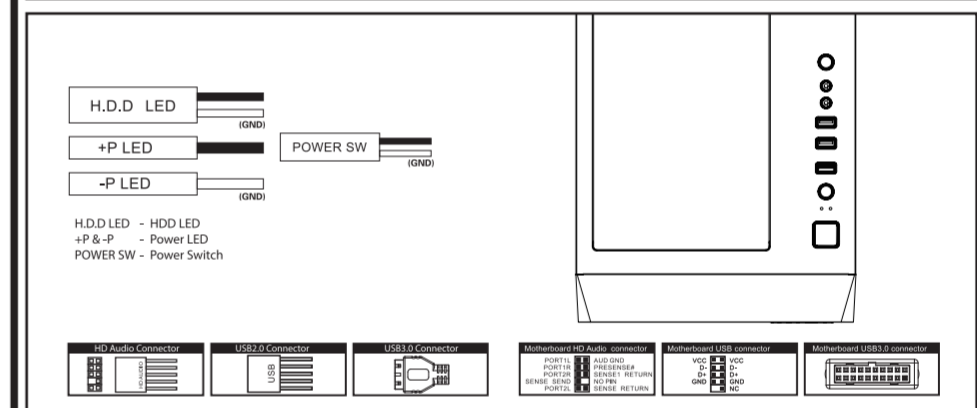
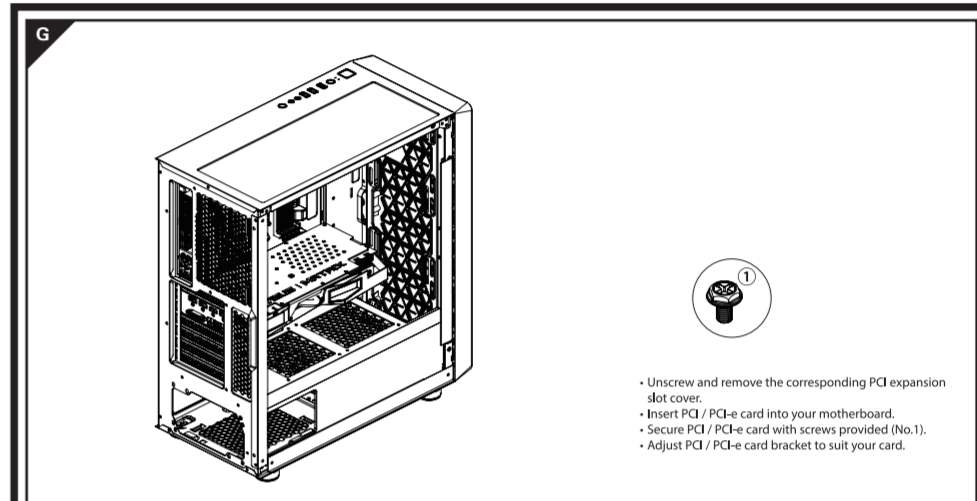
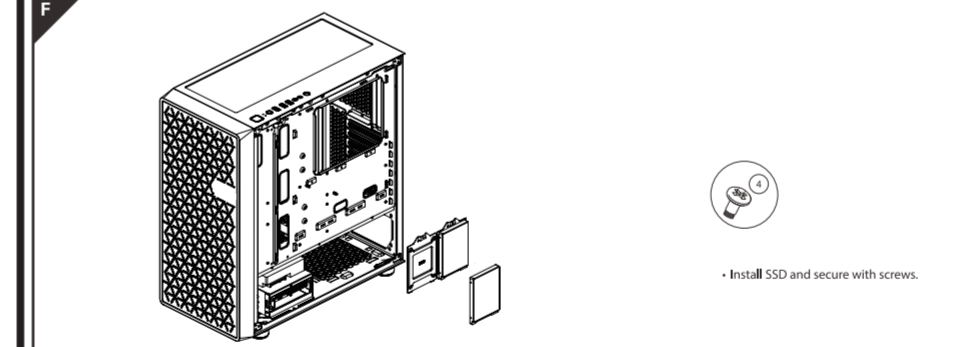
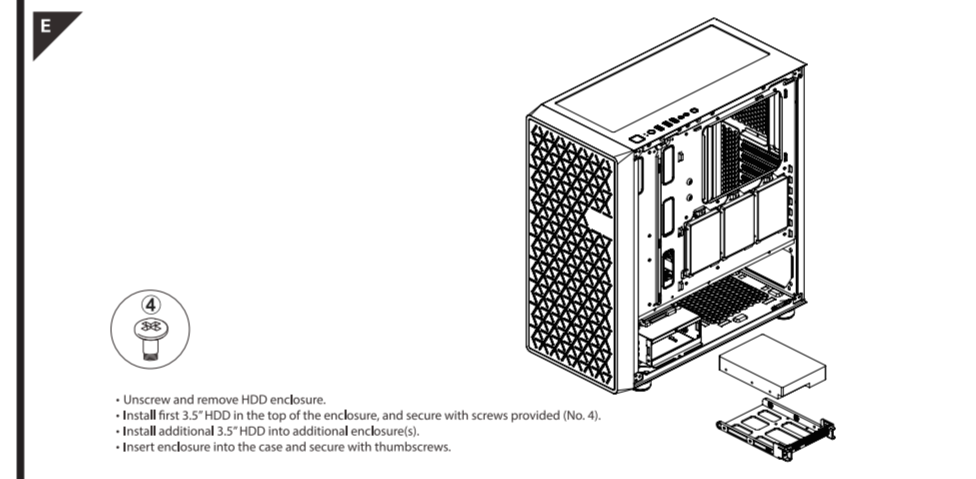
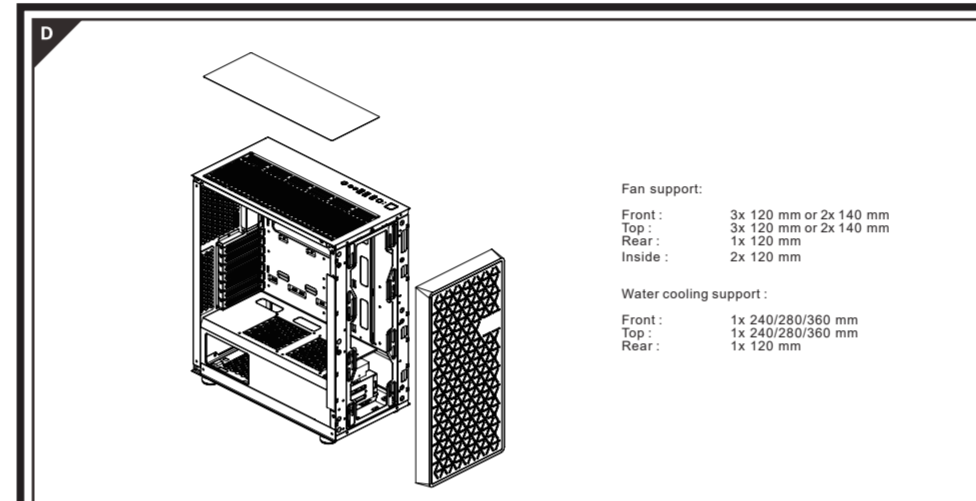
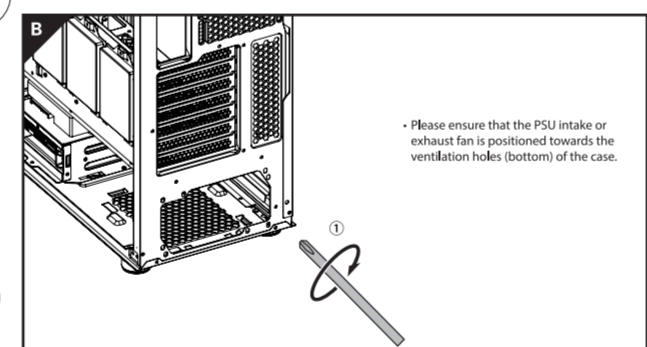
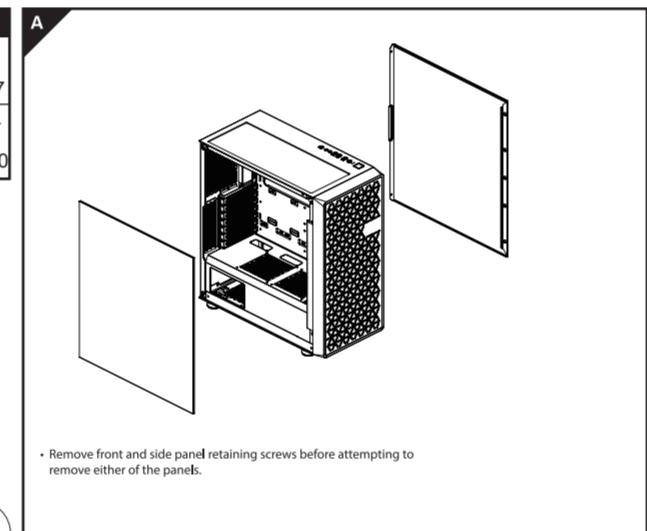
**GAMING 714W  
GACRUX\_X  
Manual**



- 0**
- 
- A: Removal of the front and side panels
  - B: Installation of the power supply (PSU)
  - C: Installation of the motherboard
  - D: Installation of fan(s) and/or radiator(s)
  - E: Installation of 3.5" HDDs
  - F: Installation of 2.5" HDDs or SSDs
  - G: Installing PCI / PCI-e card(s) and removing the expansion slot covers



• Ensure the copper mounting points are situated at the correct position for your motherboard, and secure with mounting screws (No.3).  
• Note: Additional copper mounting points are provided if required.



**Service & notes**

Avoid direct sunlight and a high temperature environment, keep the case far away from fire and heat sources. Keep it in dry places, keep it away from corrosiveness causing materials. The product has a two year warranty period from the date of purchase, service issues will be handled by your dealer. If the case is damaged due to improper operation, the warranty period expires immediately. Check www.lc-power.com or contact us by e-mail at: service@lc-power.com.

**Silent Power Electronics GmbH**  
Formerweg 8  
47877 Willich  
Germany